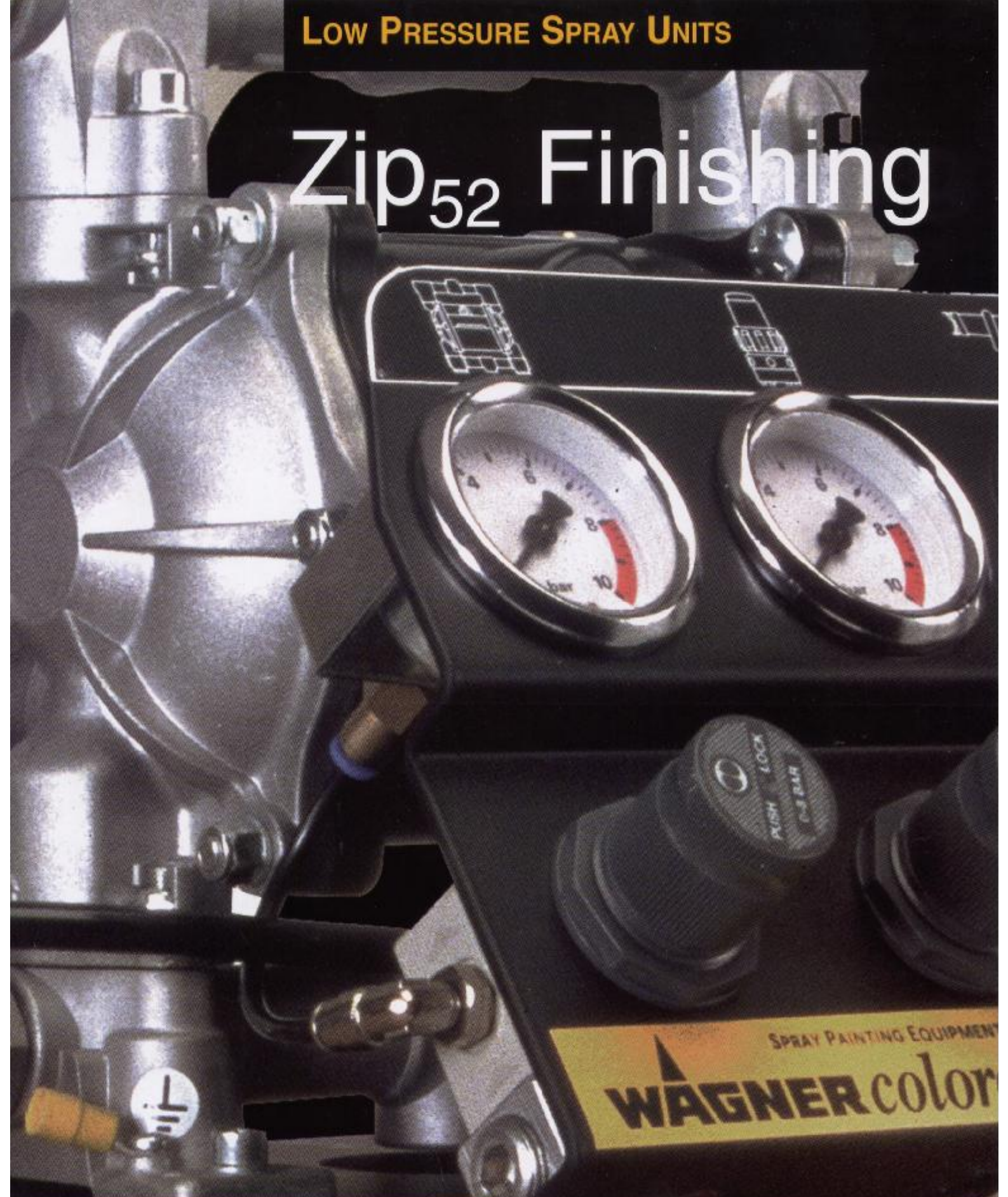


LOW PRESSURE SPRAY UNITS

Zip₅₂ Finishing



WAGNER *colora*

EFFICIENT

VERSATILE

RELIABLE

The first choice for quality diaphragm pumps. Simple and powerful, ideal for feeding automatic and manual spray guns, for high quality surface finishing with electrostatic systems, HVLP or conventional spraying units on wood, metal and plastic.

Innovative technology in the diaphragm pumps market

Easy to use

Air and paint regulators are positioned on the front control panel in a user friendly position

Flexible suction pipe **also suitable for thicker materials**



Innovative technical solutions place ZIP 52 at the high point of the sector for performance and reliability.

Some benefits:

- ▶ Faster change over speed, lower air consumption and low noise level thanks to the new pneumatic motor "Runner";
- ▶ Anti-stalling pilot valve;
- ▶ Small number of pump components;
- ▶ High flow rate, more than 50 lt/min (13 Gal/min);
- ▶ Extreme reliability thanks to the new "long life" diaphragms;
- ▶ Wide compatibility with solvents, all the o-rings in contact with fluid are made of PTFE;
- ▶ Compact pump size for easy cleaning;
- ▶ High suction capability also when dry;
- ▶ Wide range of available materials.



pilot valve:

- anti-stalling
- low internal friction
- high change over speed



"long life" diaphragms:

- double layer
- reinforcing ribs
- anti-stretch profile

The best solution for your job

lower the costs and increase the performance

Innovative Zip 52

More reliable, more versatile and compact

No pulsations

Perfect fluid control thanks to the innovative "FFC" 3 in 1 system patented by Wagnercolora

Fully equipped

- Additional connection for additional spray guns;
- Gun hanging hook;
- Paint re-circulation cock;
- Interception cock for pump feeding air

Wagnercolora Spray Guns

- manual and automatic
- wide range
 - high transfer efficiency
 - ergonomic and compact

Perfect

for top quality finishing

Modular

From the basic version, you can easily add the wall support or the stand kit and the wheels kit to transform it in a trolley



Zip 52 Finishing: the right solution

for any application requirement

WOOD,
PLASTIC,
METAL,
TEXTILE,
LEATHER,
ETC...

Remove the "no-quality" costs
and increase the performance

PROBLEMS

- rejects
- plant down time
- long unproductive periods
- paint and solvent wastes
- variable quality results

CAUSES

- pulsations
- irregular flow
- difficult adjusting of the spray-parameters
- difficult flushing and cleaning operations
- dirt and sedimentations
- breakdowns and malfunctions
- ice formation
- frequent maintenance

SOLUTIONS

- the quality of Zip 52 Finishing

► FINE FLOW CONTROLLER (FFC)

This device (patented by Wagnercolora) allows to adjust with the maximum precision and simplicity the pumped fluid pressure and, at the same time, it works as filter and anti-pulsation system.

- FINE FLOW CONTROLLER allows to obtain a regular and no-pulsating flow, ideal for maximum quality finishing and high precision applications.



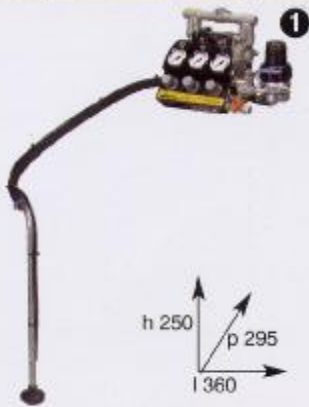
- The 3 in 1 device, further to be very compact, reduces also the internal dead spaces where usually residuals and dirt build up. Both cleaning operation and colour changes result easier, quicker and cheaper.
- The maintenance operations and the filter replacements are simplified and speeded up.
- Internal ducts are dimensioned to allow multi-gun applications (i.e. automatic sprayers, carousels, reciprocators and robots).

Technical data - Fine Flow Controller

Wetted parts standard version	consistal, stainless steel, PTFE, PP
Wetted parts stainless steel version	stainless steel, PTFE, PP
Max. inlet fluid pressure	14 bar
Regulated pressure	from 0,5 to 5 bar
Material connection	2x1/4"gas F
Air connection	1/8"
Dimensions	d 90 mm - h 165 mm
Weight (stainless steel version)	Kg 1,5
Weight (consistal version)	Kg 0,850

Available Models

Zip 52 Finishing basic unit



cod. U760.00
weight 8.9 kg

Aluminium version

cod. U760.00 + T760.00S
weight 13.2 kg

Stainless steel version

cod. U765.00
weight 11.1 kg

cod. U765.00 + T760.00S
weight 15.4 kg

Conductive Plastic version

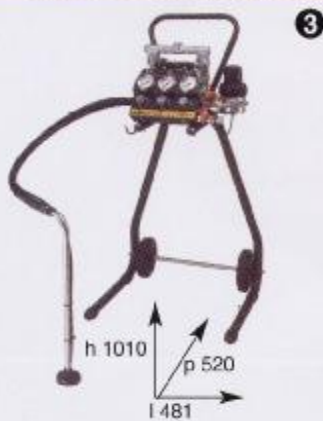
cod. U770.00
weight 8.2 kg

cod. U770.00 + T760.00S
weight 12.5 kg

Zip 52 Finishing on stand



Zip 52 Finishing on trolley



cod. U760.00 + T760.00SR
weight 15.5 kg

Aluminium version

cod. U760.00 + T760.00M
weight 9.8 kg

Stainless steel version

cod. U765.00 + T760.00SR
weight 17.7 kg

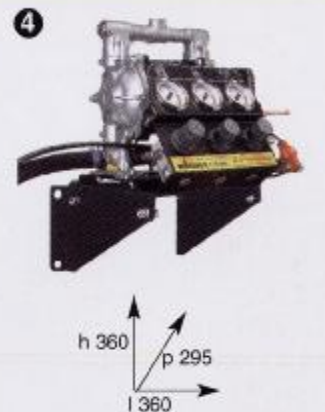
cod. U765.00 + T760.00M
weight 12.0 kg

Conductive Plastic version

cod. U770.00 + T760.00SR
weight 14.8 kg

cod. U770.00 + T760.00M
weight 9.1 kg

Zip 52 Finishing on wall brackets



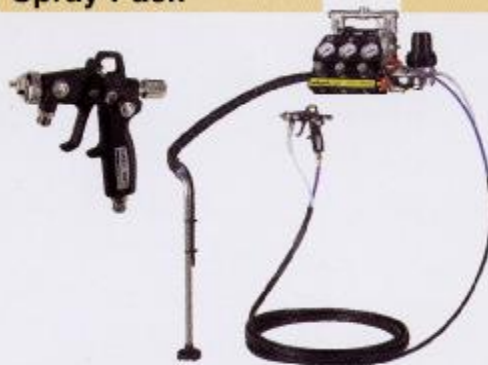
The basic unit includes: air pressure regulator and manometer for controlling the pump, the atomizing air and the "FFC" pressure; air interception cock; paint re-circulation kit; "FFC" device; flexible suction system with stainless steel pipe.

Zip 52 Finishing - Easy Spray Pack

includes:

- Zip 52 Finishing basic unit
cod. U760.00
- Low pressure dual hose
mt 7,5 with sheath
cod. S419.00G
- Easy Gun ø 1,2
cod. RV901.12A

cod. U760.00S/E



Zip 52 Finishing - Smart Spray Pack

includes:

- Zip 52 Finishing basic unit
cod. U760.00
- Low pressure dual hose
mt 7,5 with sheath
cod. S419.00G
- Smart Gun ø 1,2
cod. RV906.12

cod. U760.00S/S



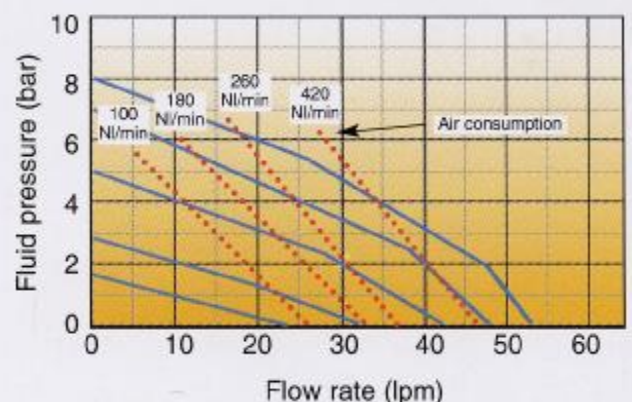
To be completed with the desired support: ► stand ► trolley ► wall brackets (see accessories page)

Pump - Technical data

Pressure ratio	1:1
Max working fluid pressure	7,8 bar
Inlet air pressure	1-8 bar
Max flow rate (naked pump)	52 lpm
Noise level*	76 dB(A)
Max. operating temperature**	°C 85
Air connection	1/4" BSP

*LAeq - operating at 4,8 bar and 50 cycles/min

**Metallic pump with PTFE diaphragms and stainless steel valves



Accessories



Supports

- T760.00M Wall brackets kit
 T760.00S Stand kit
 T760.00R Handle + wheels kit
 T760.00SR Complete trolley kit

FFC

- T0180.00A Fine Flow Controller with 100 mesh filter
 T0180.00AI Stainless steel FFC with 100 mesh filter



Filters

- T500.00 FFC filter, 60 mesh (black)
 T500.00A FFC filter, 100 mesh (white)
 T500.00B FFC filter, 150 mesh (red)
 250243 SS filter 0,8M for 200 lt barrels suction pipe
 250245 SS filter 1,25M for 200 lt barrels suction pipe
 9207256 Metallic filter 30 mesh for 200 lt barrels suction pipe

BP Hoses

- S419.00G L/P air/material hose 7,5 mt with sheath
 S419.00GP L/P air/material jointed hose 7,5 mt – paired fittings
 S419.00GI L/P air/material hose 7,5 mt with sheath – stainless steel paint fitting
 S419.00GPI L/P air/material hose 7,5 mt with sheath – stainless steel paint fitting – paired fittings
 T4009.00 Stainless steel suction pipe with flexible 2 mt D25 hose for 200 lt tanks

Spray Guns

- RV901.xxA Spray gun mod. Easy Gun ("xx" nozzle size: 0,3 - 0,5 - 0,8 - 1 - 1,2 - 1,5 - 1,8 - 2 - 2,2 mm)
 RV906.xx Spray gun mod. Smart Gun ("xx" nozzle size: 0,5 - 0,8 - 1 - 1,2 - 1,5 - 1,8 - 2 - 2,2 - 2,5 mm)
 RE121E.xx Spray gun mod. Microcoat MGB11 ("xx" nozzle size: 0,8 - 1,1 - 1,6 mm)
 R923.xx Automatic spray gun mod. ASP10s (conv.)
 R921.xx Automatic spray gun mod. ASP10hs (HVLP)

Spare Parts

- T9080.00 Zip 52 fluid service set (stainless steel seats and balls)
 P4003.00 Zip 52 air service set
 G921.07AC Zip 52 PTFE diaphragm
 T9086.00 FFC service set

! Ask about other products from our company: Intellimix, electronic system for 2K products; Thermosystem to reduce viscosity without solvent addition; rapid colour changes; fluid handling pumps, extrusion systems... **and much more**