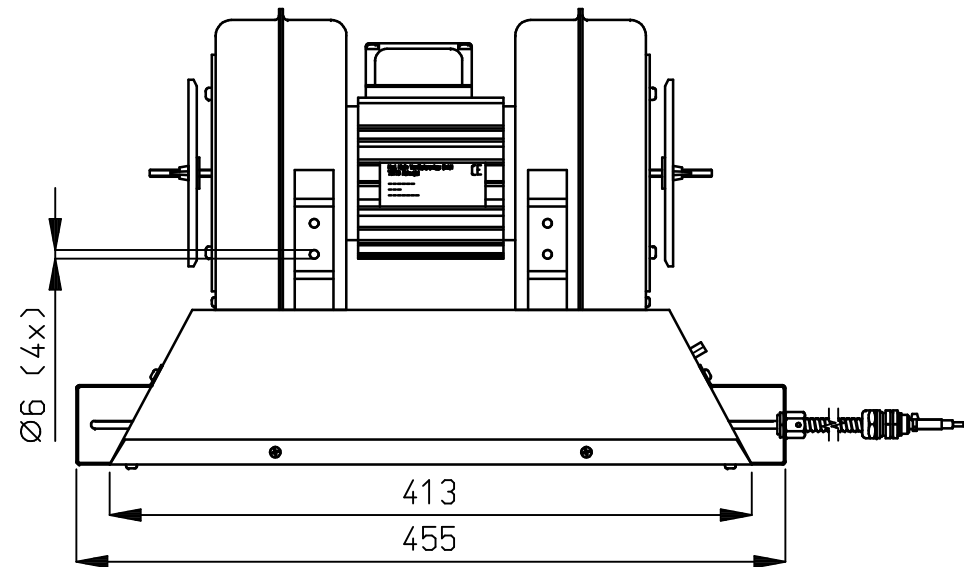
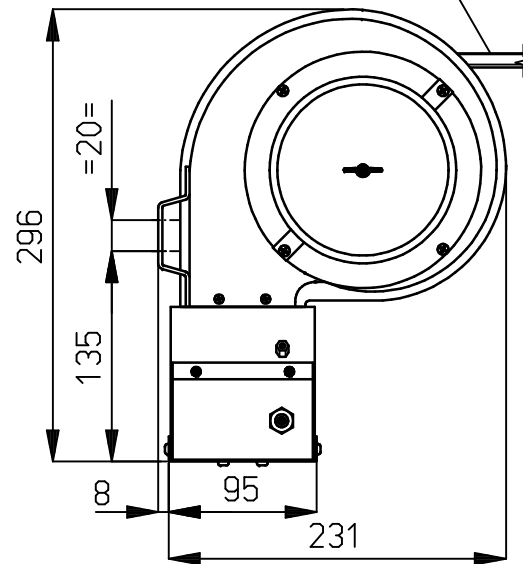


Line cord (3x1mm²)
length 5m.



All dimensions in mm.
All dimensions for reference only

Cable clamps

Amount of cable clamps=
(cable length(m)x4)-1

